

The VLS bedhead/room sounder with LED's is the ideal choice for a discreet but effective audible and visual warning signal.

The innovative design allows the sound to be laterally dispersed, enabling the unit to be equally effective from any direction.

The unit incorporates two ultra bright LED's that flash in synchronisation with the selected tone. Also available with 'FIRE ALARM' text on the front plate.

Easy to install the unit is designed to work on both conventional fire alarm and SAV-WIRE® two wire systems. The sounder is also supplied with a two-stage alarm override which is activated by a third negative wire from the fire panel.

- synchronised bright LED's
- 4 tones
- variable volume control
- designed to work with both conventional and two-wire (SAV-WIRE®) systems
- high sound and light output energy efficient design
- neat low profile design easy to fit



TECHNICAL



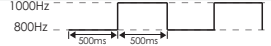

voltage range (Vdc)	8 - 35
number of tones	4
operating frequency (Hz)	800 - 1000
temperature range (°C)	-20 to +70
monitoring	reverse polarity
protection rating	IP43
boxed weight (kg)	0.11
body colours available	red or white (ABS fire retardant plastic)

PERFORMANCE

sound output, typical (dBA)	97.6
sound output, anechoic chamber (dBA)	93.3
sound output, reverberation chamber (dBA)	108.1
max. current consumption @ 24Vdc (mA)	30.3
power consumption @ 24Vdc (mW)	727

NB: see tone list performance for more accurate current consumption figures

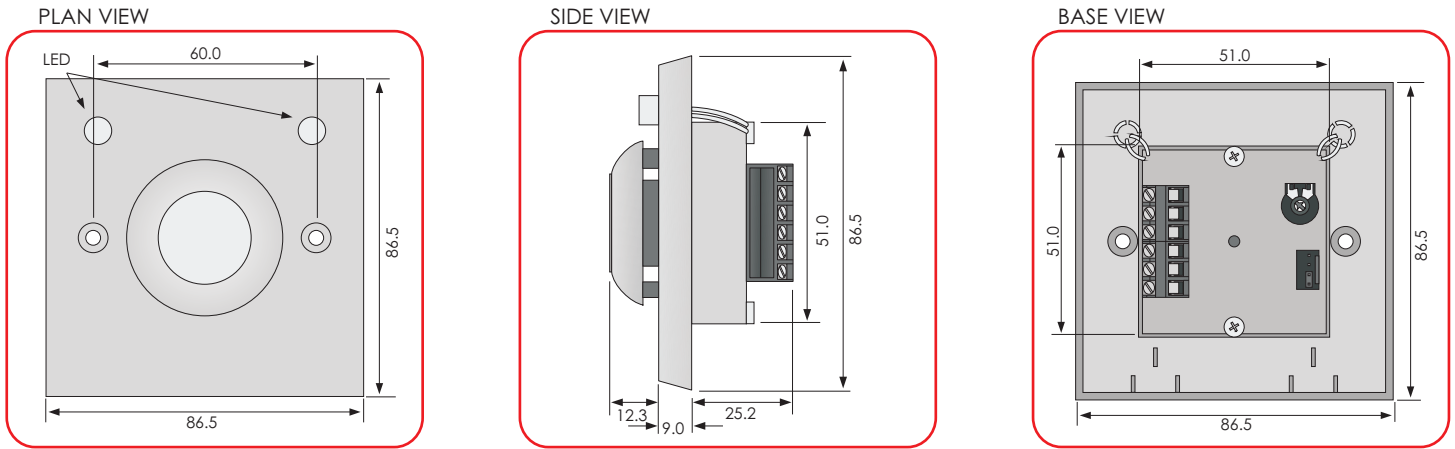
TONE LIST - GRAPHICAL & PERFORMANCE

tone	description	typical sound output (dBA)	max running current (mA)	graphical representation
sweep	800-1000Hz swept every 500ms (2Hz)	93.3	28.5	
pips	800Hz for 800ms, then off for 500ms	89.7	22.5	
warble	800Hz for 500ms, then 1000Hz for 500ms	96.0	30.1	
continuous	800Hz continuous	90.2	28.8	

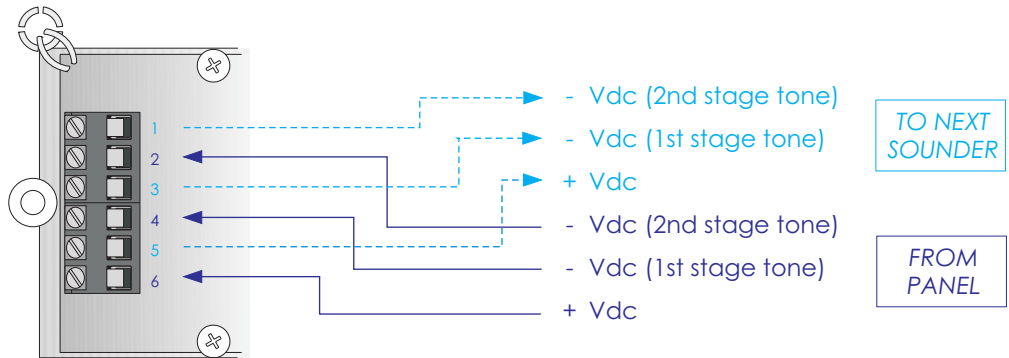
ORDERING INFORMATION

white body, 4 tone	504-005
white body, 4 tone, with 'FIRE ALARM' text	504-017
red body, 4 tone	504-006

DIMENSIONS, PRODUCT MOUNTING & CABLE ENTRY



WIRING CONFIGURATION



TONE & VOLUME SELECTION

