

The popular VCT base sounder is our original base sounder design, that is compatible with most leading detector brands. The VCT offers a versatile solution to sounder installation and comes with 4 tones and a two-stage alarm override which is activated by a third negative wire from the fire panel. For use with conventional fire alarm systems including SAV-WIRE® two wire systems.

When a detector is not being mounted to the sounder a blank cover plate is available so that the unit can be used as a stand alone sounder.

- 4 tones plus a selectable override tone
- continuously variable volume control
- high sound output
- cover plate available in red or white for stand alone sounder use
- designed to work with both conventional and two-wire (SAV-WIRE®) systems
- contact us for colour options available



TECHNICAL

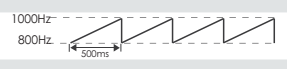

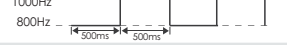

voltage range (Vdc)	8 - 35
number of tones	4
operating frequency (Hz)	800 - 1000
temperature range (°C)	-20 to +70
monitoring	reverse polarity
protection rating	IP42
boxed weight (kg)	0.12
body colours available	white or ivory (ABS fire retardant plastic)

PERFORMANCE

sound output, typical (dBA)	89
sound output, anechoic chamber (dBA)	84.3
sound output, reverberation chamber (dBA)	108.6
max. current consumption @ 24Vdc (mA)	12.7
power consumption @ 24Vdc (mW)	305

NB: see tone list performance for more accurate current consumption figures

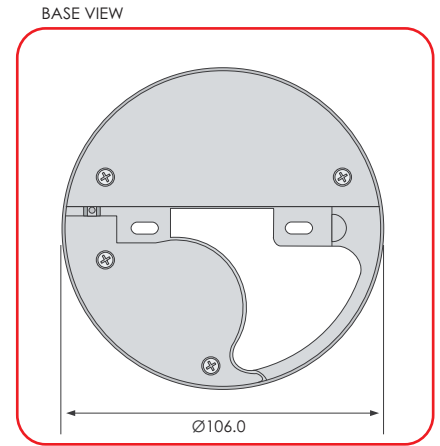
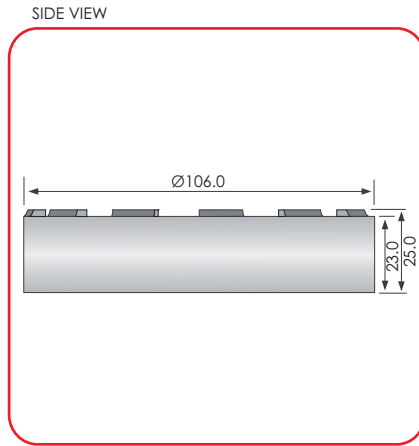
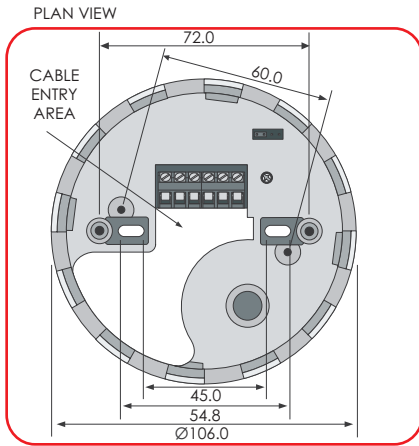
TONE LIST - GRAPHICAL & PERFORMANCE

tone	description	typical sound output (dBA)	max running current (mA)	graphical representation
sweep	800-1000Hz swept every 500ms (2Hz)	84.3	10.7	
pips	800Hz for 800ms, then off for 500ms	82.3	9.4	
warble	800Hz for 500ms, then 1000Hz for 500ms	84.3	12.7	
continuous	800Hz continuous	83.6	10.6	

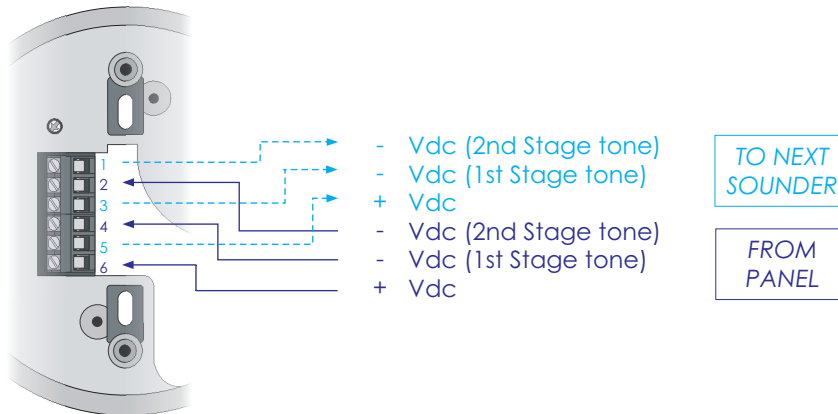
ORDERING INFORMATION

white body, 4 tone	506-001
ivory body, 4 tone	506-002
white cover plate	506-021
red cover plate	506-022

DIMENSIONS, PRODUCT MOUNTING & CABLE ENTRY



WIRING CONFIGURATION



TONE & VOLUME SELECTION

