

The R12 relay is intended to switch additional field devices via the two relay outputs supplied. An LED is mounted so that it remains visible during the relay operation.

The supply voltage to the relay coil may be continued through the device via the additional terminals supplied. Each device is reverse polarity protected.

- PCB version for mounting inside PSU's, panels, etc.
- self contained version in a metal enclosure
- single gang plate version has 'Auxiliary Relay Operated' text
- custom legend or other language versions available on request



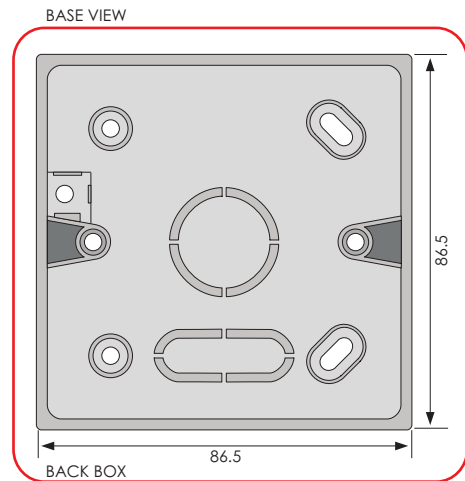
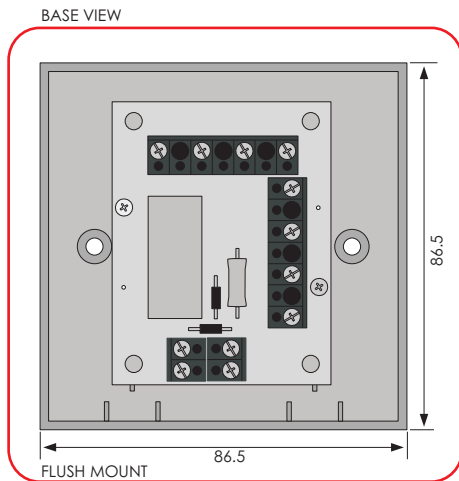
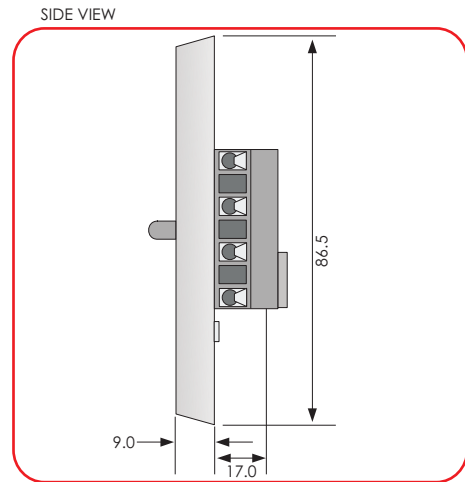
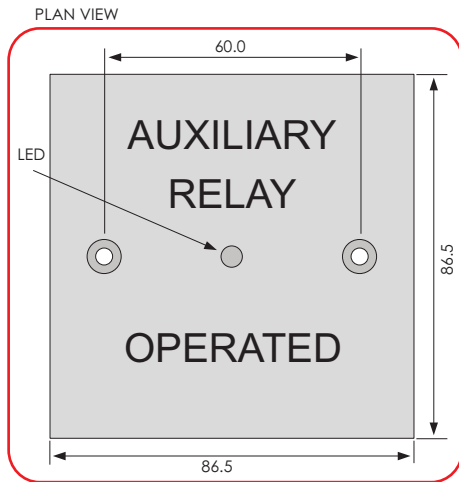
TECHNICAL

type	PCB	surface mount
voltage range (Vdc)		9 - 18
nominal current consumption (mA)		44
relay contact rating		230Vac 5A
coil impedance (Ω)		275
protection rating	n/a	IP43
boxed weight (kg)	0.05	0.15
colours available	n/a	white (ABS fire retardant plastic)

ORDERING INFORMATION

"Auxiliary Relay Operated" text, single gang, surface	503-004
pcb only, supplied with 4 adhesive feet	503-005

DIMENSIONS, PRODUCT MOUNTING & CABLE ENTRY



WIRING CONFIGURATION & TYPICAL INSTALLATION

