

Part Number
512-300 Series

Description

VXB-1VAD EN54-3 &-23 WALL 2.4-7 BEACON
Approved VXB-1EVAD 24V Beacon
Units are available with Deep or Shallow base
Lens colour - red
Flash colour - red

Instruction Insert

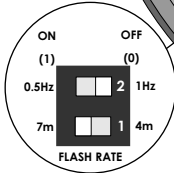
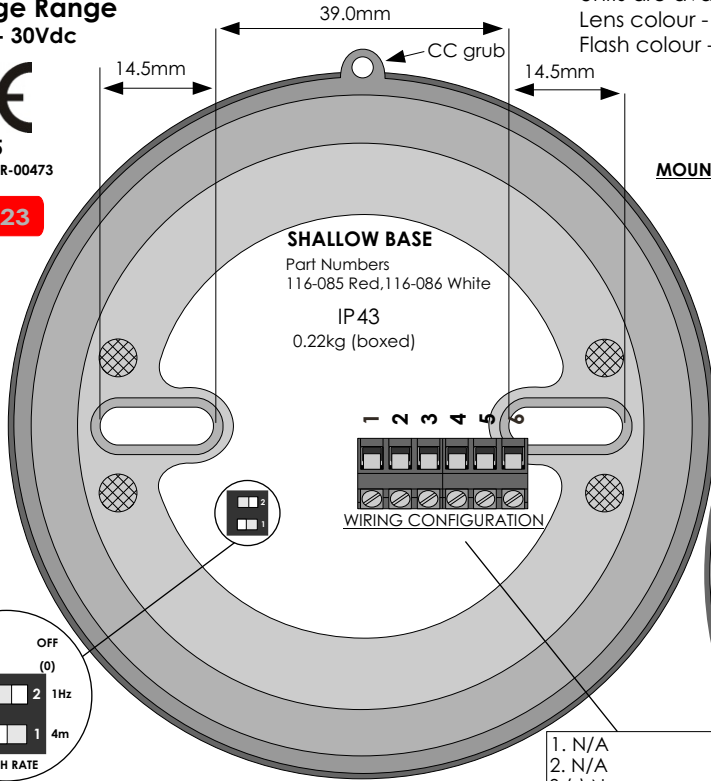
TECHNICAL INFORMATION

Voltage Range (Vdc): 18 - 30
Temperature Range (°C): -20 to +70
Flash Rate: c.1Hz (approved)
(option for 0.5Hz does not comply with EN54-23)
Beacon coverage: W-2.4-7 (approved)
(option for W-2.4-4 does not comply with EN54-23)
Coverage volume: 118m
Monitoring: Reverse Polarity
Protection Rating: IP33C Deep Base
Protection Rating: IP21C Shallow Base
Boxed Weight (kg): 0.25
Base Diameter (mm): Ø93.0
Material: ABS fire retardant plastic
Maintenance: refer to local test and maintenance guidance

Voltage Range
18 - 30Vdc



EN54-23



1. N/A
2. N/A
3. (-) Neg
4. (-) Neg
5. (+) Positive
6. (+) Positive

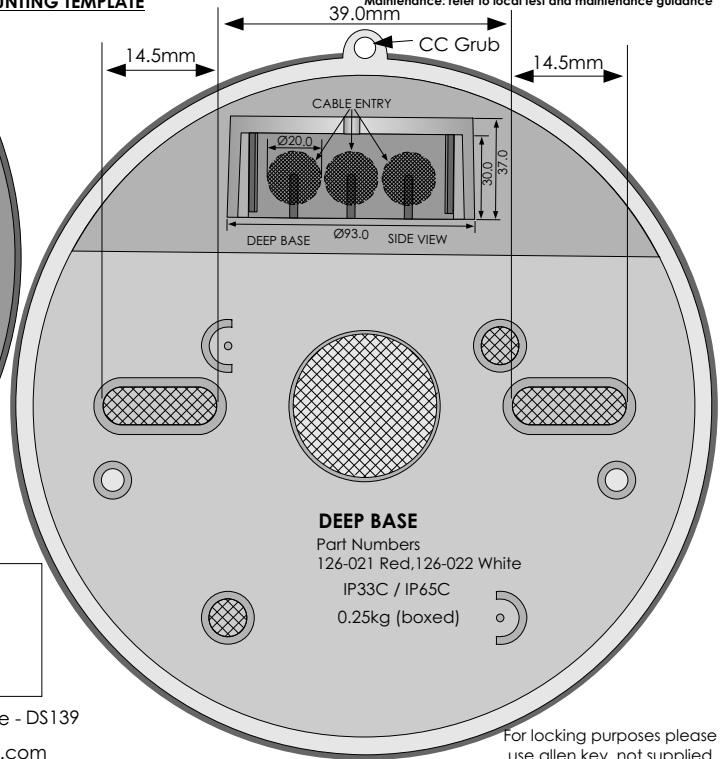
For any technical queries contact
Tel: +44 (0) 1420 592 444
E-mail: technical@cranfordcontrols.com

Made in UK

Full datasheet available - DS139
www.cranfordcontrols.com

Doc Ref: 125-119 Issue: 002 Date 10.2015

MOUNTING TEMPLATE



For locking purposes please use allen key, not supplied

Part Number
512-300 Series

Description

VXB-1VAD EN54-3 &-23 WALL 2.4-7 BEACON
Approved VXB-1EVAD 24V Beacon
Units are available with Deep or Shallow base
Lens colour - red
Flash colour - red

Instruction Insert

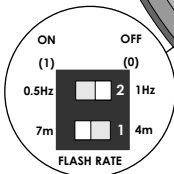
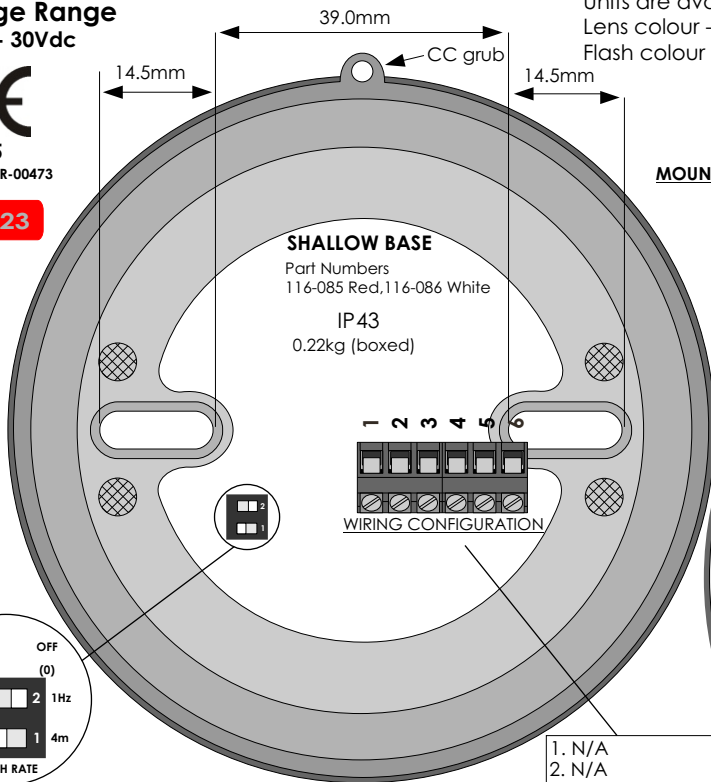
TECHNICAL INFORMATION

Voltage Range (Vdc): 18 - 30
Temperature Range (°C): -20 to +70
Flash Rate: c.1Hz (approved)
(option for 0.5Hz does not comply with EN54-23)
Beacon coverage: W-2.4-7 (approved)
(option for W-2.4-4 does not comply with EN54-23)
Coverage volume: 118m
Monitoring: Reverse Polarity
Protection Rating: IP33C Deep Base
Protection Rating: IP21C Shallow Base
Boxed Weight (kg): 0.25
Base Diameter (mm): Ø93.0
Material: ABS fire retardant plastic
Maintenance: refer to local test and maintenance guidance

Voltage Range
18 - 30Vdc



EN54-23



1. N/A
2. N/A
3. (-) Neg
4. (-) Neg
5. (+) Positive
6. (+) Positive

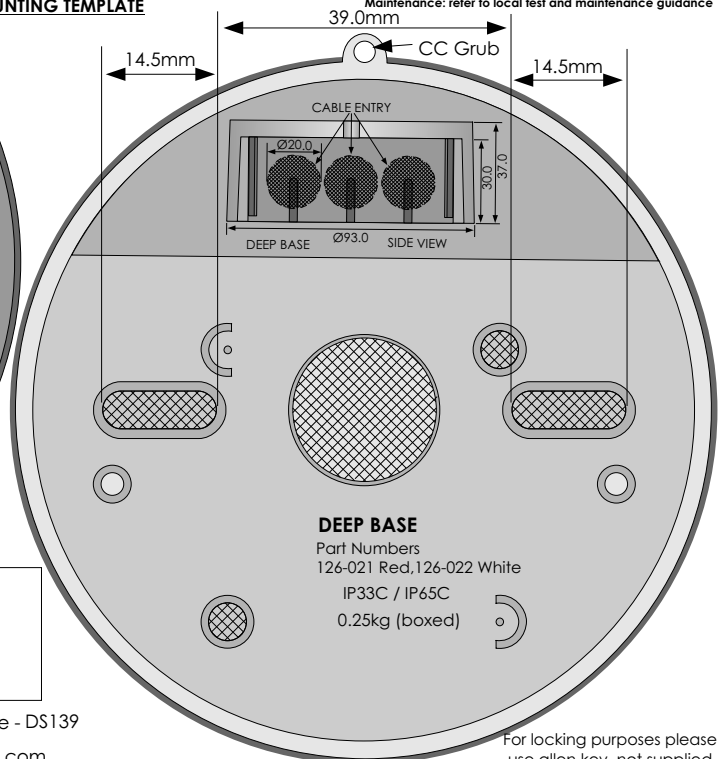
For any technical queries contact
Tel: +44 (0) 1420 592 444
E-mail: technical@cranfordcontrols.com

Made in UK

Full datasheet available - DS139
www.cranfordcontrols.com

Doc Ref: 125-119 Issue: 002 Date 10.2015

MOUNTING TEMPLATE



For locking purposes please use allen key, not supplied