

Description

VXB-1VAD EN54-3 &-23 CEILING C-3-7 BEACON
Approved VXB-1EVAD 24V Beacon
Units are available with Deep or Shallow base,
Lens colour - red
Flash colour - red

Instruction Insert

TECHNICAL INFORMATION

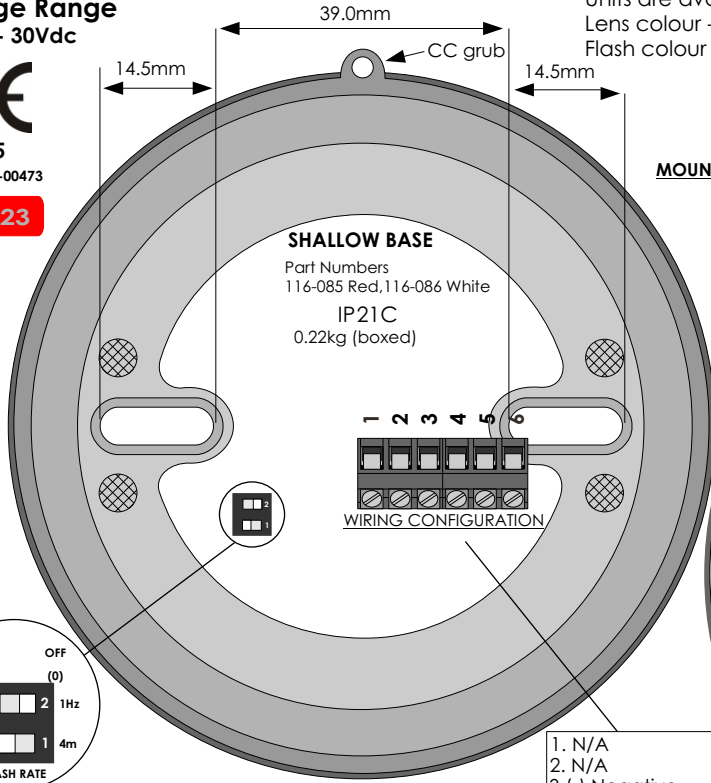
Voltage Range (Vdc): 18 - 30
Temperature Range (°C): -20 to +70
Flash Rate: c.1Hz (approved)
(option for 0.5Hz does not comply with EN54-23)
Beacon coverage: C-3-7 (approved)
(option for C-3-4 does not comply with EN54-23)
Coverage volume: 115m
Monitoring: Reverse Polarity
Protection Rating: IP33C Deep Base
Protection Rating: IP21C Shallow Base
Boxed Weight (kg): 0.25
Base Diameter (mm): Ø93.0
Material: ABS fire retardant plastic
Maintenance: refer to local test and maintenance guidance

Voltage Range
18 - 30Vdc

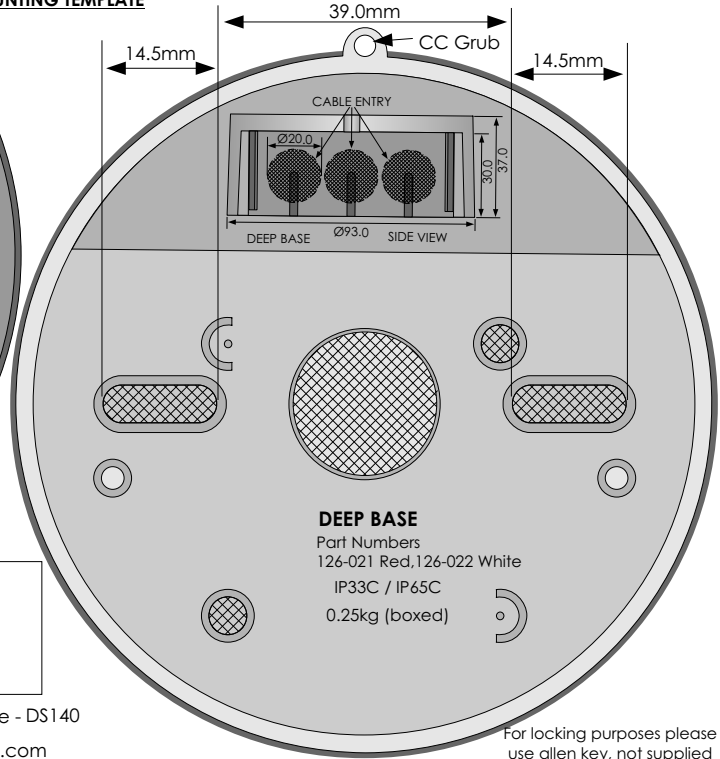


0359-CPR-00473

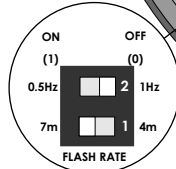
EN54-23



MOUNTING TEMPLATE



1. N/A
2. N/A
3. (-) Negative
4. (-) Negative
5. (+) Positive
6. (+) Positive



For any technical queries contact
Tel: +44 (0) 1420 592 444
E-mail: technical@cranfordcontrols.com

Full datasheet available - DS140
www.cranfordcontrols.com

Made in UK

For locking purposes please use allen key, not supplied

Description

VXB-1VAD EN54-3 &-23 CEILING C-3-7 BEACON
Approved VXB-1EVAD 24V Beacon
Units are available with Deep or Shallow base,
Lens colour - red
Flash colour - red

Instruction Insert

TECHNICAL INFORMATION

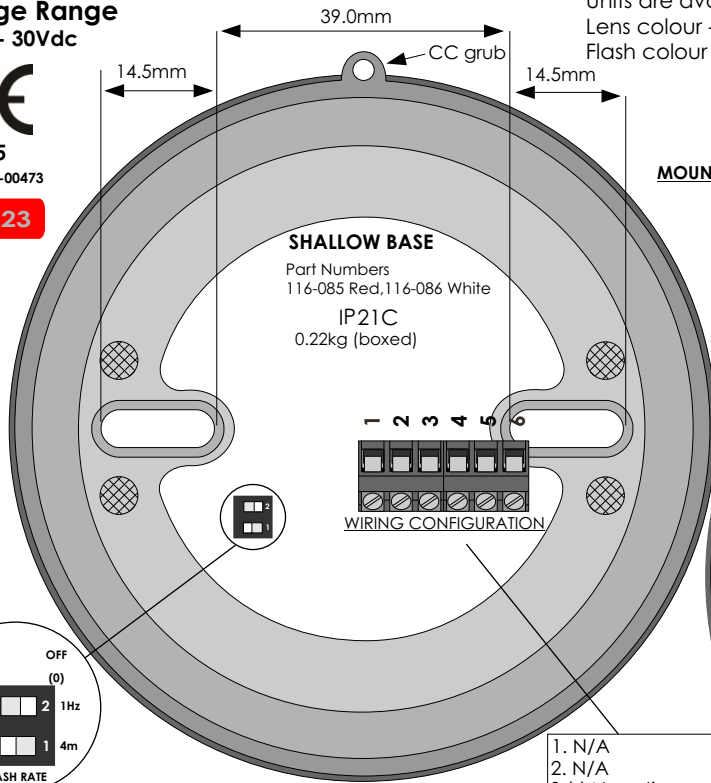
Voltage Range (Vdc): 18 - 30
Temperature Range (°C): -20 to +70
Flash Rate: c.1Hz (approved)
(option for 0.5Hz does not comply with EN54-23)
Beacon coverage: C-3-7 (approved)
(option for C-3-4 does not comply with EN54-23)
Coverage volume: 115m
Monitoring: Reverse Polarity
Protection Rating: IP33C Deep Base
Protection Rating: IP21C Shallow Base
Boxed Weight (kg): 0.25
Base Diameter (mm): Ø93.0
Material: ABS fire retardant plastic
Maintenance: refer to local test and maintenance guidance

Voltage Range
18 - 30Vdc

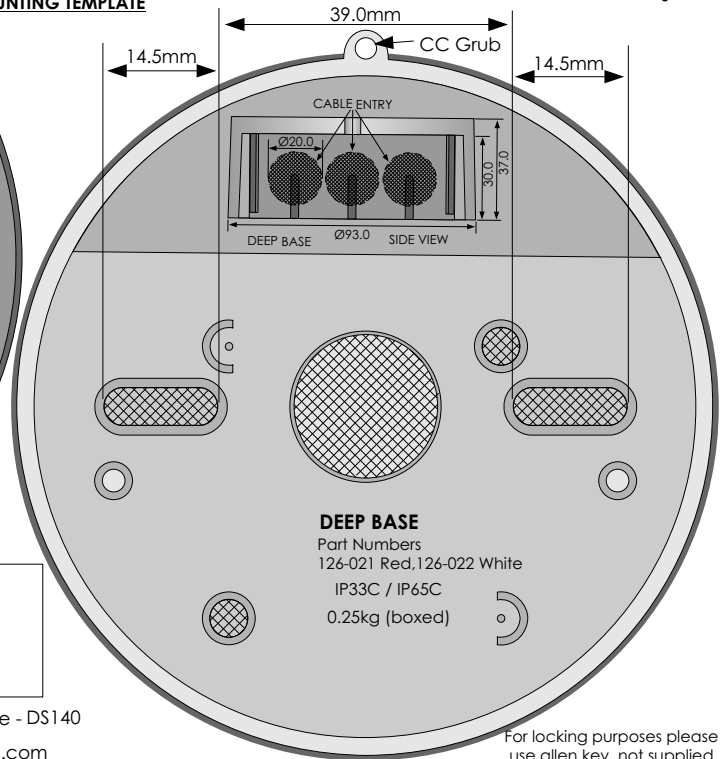


0359-CPR-00473

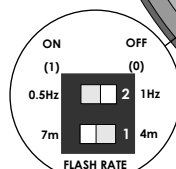
EN54-23



MOUNTING TEMPLATE



1. N/A
2. N/A
3. (-) Negative
4. (-) Negative
5. (+) Positive
6. (+) Positive



For any technical queries contact
Tel: +44 (0) 1420 592 444
E-mail: technical@cranfordcontrols.com

Full datasheet available - DS140
www.cranfordcontrols.com

Made in UK

For locking purposes please use allen key, not supplied