

Instruction Insert:
MIS Fire Alarm Mains Isolator Switch

Part Numbers	Description
513-001	MIS-SM <i>Surface Mount Fire Alarm Mains Switch Isolator</i>
513-002	MIS-M-SM <i>Metal Clad Surface Mount Fire Alarm Mains Switch Isolator</i>
513-003	MIS-FM <i>Flush Mount Fire Alarm Mains Switch Isolator</i>

For any technical queries please contact:
 Tel: + 44 (0) 1420 592444 Email: technical@cranfordcontrols.com

*Ensure that the mains supply is isolated before commencing installation.
 Ensure installation meets the latest requirements of BS7671 and BS 5839-1*

*Bare Earth cables must always be covered with green/yellow sleeving and wired to Earth terminal.
 For the metal clad version please ensure the front plate is suitably earthed to the main earth point in the back box using the green and yellow wire supplied.*

Nominal Operating Voltage: 230Vac
Switch Contact Rating: Double Pole - 250Vac, 13A
Enclosure Material: Polycarbonate Or Metal Clad
Key Type: Fishtail supplied with product
Standards: Suitable for BS 5839-1:2002 applications
Environmental Protection: This range of products is suitable for internal use only, not for outside applications.



Instruction Insert:
MIS Fire Alarm Mains Isolator Switch

Part Numbers	Description
513-001	MIS-SM <i>Surface Mount Fire Alarm Mains Switch Isolator</i>
513-002	MIS-M-SM <i>Metal Clad Surface Mount Fire Alarm Mains Switch Isolator</i>
513-003	MIS-FM <i>Flush Mount Fire Alarm Mains Switch Isolator</i>

For any technical queries please contact:
 Tel: + 44 (0) 1420 592444 Email: technical@cranfordcontrols.com

*Ensure that the mains supply is isolated before commencing installation.
 Ensure installation meets the latest requirements of BS7671 and BS 5839-1*

*Bare Earth cables must always be covered with green/yellow sleeving and wired to Earth terminal.
 For the metal clad version please ensure the front plate is suitably earthed to the main earth point in the back box using the green and yellow wire supplied.*

Nominal Operating Voltage: 230Vac
Switch Contact Rating: Double Pole - 250Vac, 13A
Enclosure Material: Polycarbonate Or Metal Clad
Key Type: Fishtail supplied with product
Standards: Suitable for BS 5839-1:2002 applications
Environmental Protection: This range of products is suitable for internal use only, not for outside applications.



Instruction Insert:
MIS Fire Alarm Mains Isolator Switch

Part Numbers	Description
513-001	MIS-SM <i>Surface Mount Fire Alarm Mains Switch Isolator</i>
513-002	MIS-M-SM <i>Metal Clad Surface Mount Fire Alarm Mains Switch Isolator</i>
513-003	MIS-FM <i>Flush Mount Fire Alarm Mains Switch Isolator</i>

For any technical queries please contact:
 Tel: + 44 (0) 1420 592444 Email: technical@cranfordcontrols.com

*Ensure that the mains supply is isolated before commencing installation.
 Ensure installation meets the latest requirements of BS7671 and BS 5839-1*

*Bare Earth cables must always be covered with green/yellow sleeving and wired to Earth terminal.
 For the metal clad version please ensure the front plate is suitably earthed to the main earth point in the back box using the green and yellow wire supplied.*

Nominal Operating Voltage: 230Vac
Switch Contact Rating: Double Pole - 250Vac, 13A
Enclosure Material: Polycarbonate Or Metal Clad
Key Type: Fishtail supplied with product
Standards: Suitable for BS 5839-1:2002 applications
Environmental Protection: This range of products is suitable for internal use only, not for outside applications.



Instruction Insert:
MIS Fire Alarm Mains Isolator Switch

Part Numbers	Description
513-001	MIS-SM <i>Surface Mount Fire Alarm Mains Switch Isolator</i>
513-002	MIS-M-SM <i>Metal Clad Surface Mount Fire Alarm Mains Switch Isolator</i>
513-003	MIS-FM <i>Flush Mount Fire Alarm Mains Switch Isolator</i>

For any technical queries please contact:
 Tel: + 44 (0) 1420 592444 Email: technical@cranfordcontrols.com

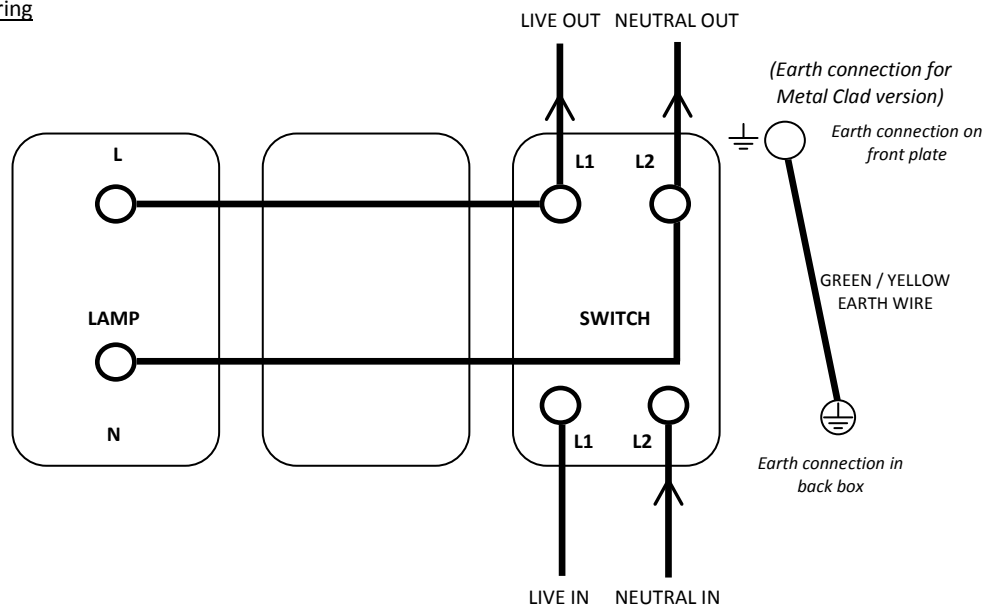
*Ensure that the mains supply is isolated before commencing installation.
 Ensure installation meets the latest requirements of BS7671 and BS 5839-1*

*Bare Earth cables must always be covered with green/yellow sleeving and wired to Earth terminal.
 For the metal clad version please ensure the front plate is suitably earthed to the main earth point in the back box using the green and yellow wire supplied.*

Nominal Operating Voltage: 230Vac
Switch Contact Rating: Double Pole - 250Vac, 13A
Enclosure Material: Polycarbonate Or Metal Clad
Key Type: Fishtail supplied with product
Standards: Suitable for BS 5839-1:2002 applications
Environmental Protection: This range of products is suitable for internal use only, not for outside applications.

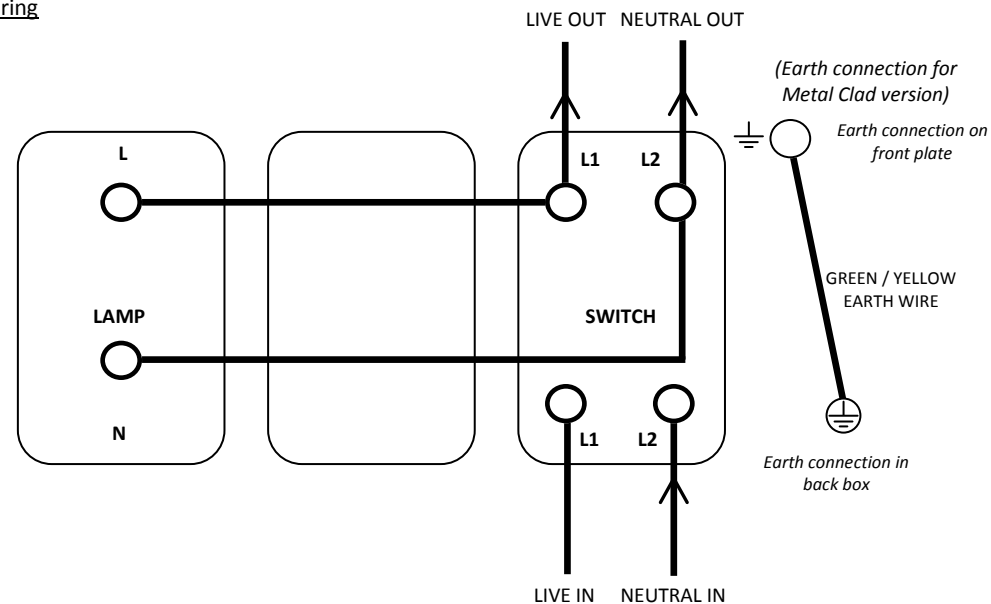


Wiring



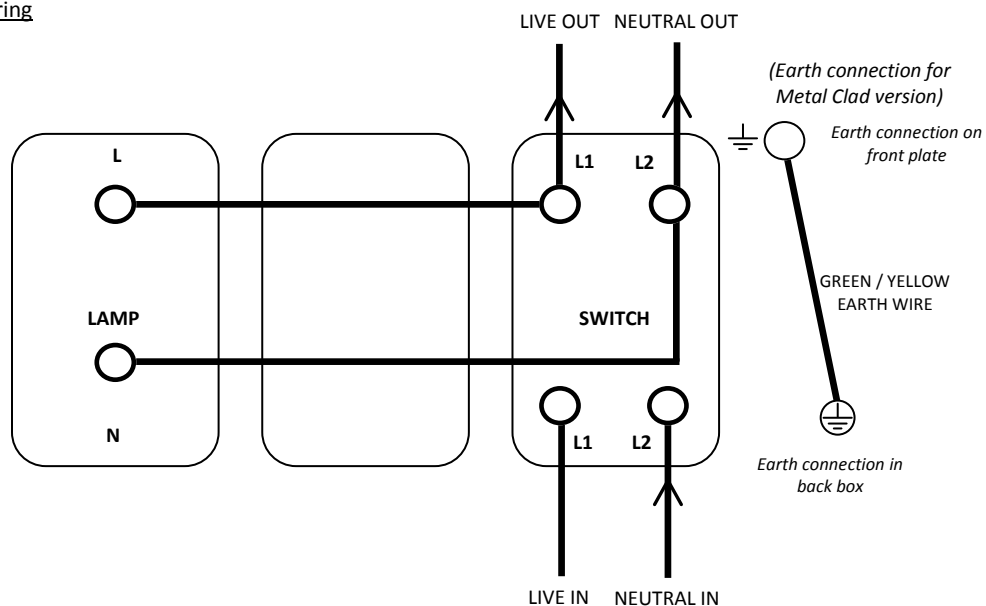
Dimensions: MIS-SM 86.0 x 86.0 x 42.0mm MIS-M-SM 86.0 x 77.5 x 44.0mm MIS-FM 86.0 x 86.0 x 25.0mm

Wiring



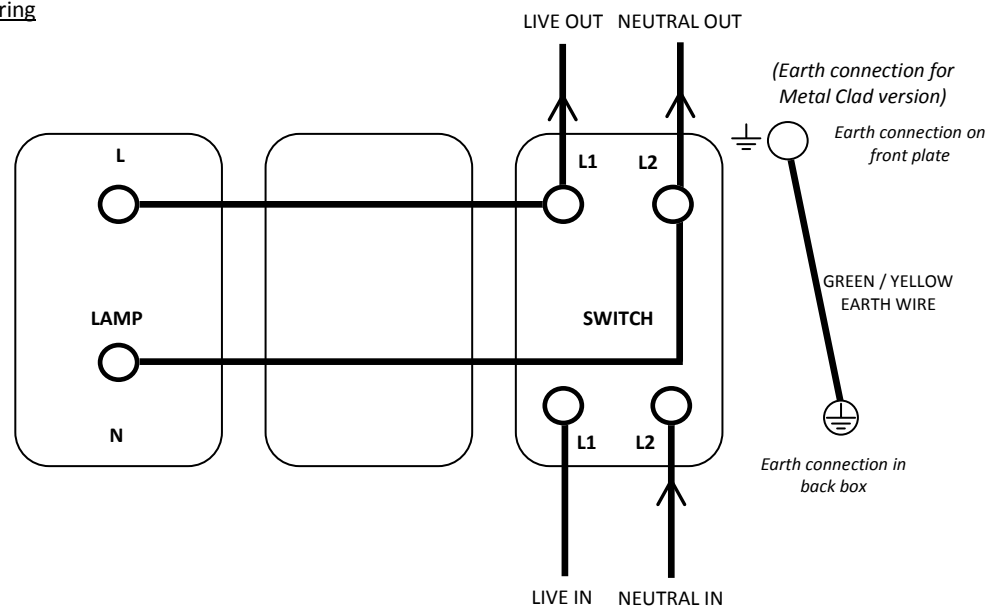
Dimensions: MIS-SM 86.0 x 86.0 x 42.0mm MIS-M-SM 86.0 x 77.5 x 44.0mm MIS-FM 86.0 x 86.0 x 25.0mm

Wiring



Dimensions: MIS-SM 86.0 x 86.0 x 42.0mm MIS-M-SM 86.0 x 77.5 x 44.0mm MIS-FM 86.0 x 86.0 x 25.0mm

Wiring



Dimensions: MIS-SM 86.0 x 86.0 x 42.0mm MIS-M-SM 86.0 x 77.5 x 44.0mm MIS-FM 86.0 x 86.0 x 25.0mm